

Rancilio Classe 5 S 1 Group Tank

Entry to Mid-Level Traditional Espresso Machine

The Classe 5 exemplifies functional minimalism combined with contemporary aesthetics. It features modern side panels, curved group covers, and an ergonomic work area for comfort and convenience.

Made from brushed stainless steel, ABS, and nylon panels, the Classe 5 S has a sleek button for manual dosing control. It is available in Anthracite Black and Ice White.

Discover functional minimalism with the Classe 5.



Standard Features

- Made from brushed stainless steel, ABS and nylon panels
- Pour-over 2L water reservoir and drain basin
- Semi-automatic brewing buttons - barista chooses when shot starts and stops
- Independent heat exchangers
- Electrical heating
- Built-in vibrating pump
- Boiler and pump pressure control gauge
- One manual steam wand for frothing and steaming milk
- C-Lever ergonomically designed steam hand features two positions: pulse steam (down) or steam fully on (up)
- Hot water outlet with manual valve knob control
- Scratch-proof polymer drain insert that can be removed and easily cleaned in dishwasher
- Adjustable feet
- 1-year parts warranty

Options

iSteam: Intelligent steam wand that automatically infuses air and turns off at the proper temperature to create the perfect milk for cappuccinos and lattes

Color Options: Anthracite Black and Ice White

Tank Version (ST)

Despite its commercial-grade components and impressive cup quality, the Classe 5 ST remains surprisingly portable. Because all water is drawn from the built-in reservoir, only a power connection is required. This makes the Classe 5 ST a great solution for a variety of personal and commercial settings.

Accessories in the Box

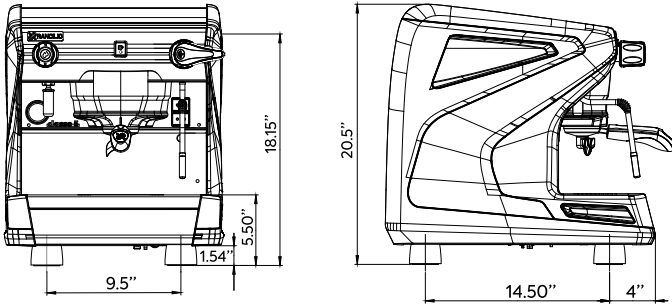
- 1 double portafilter
- Rubber blind disks for cleaning
- User manual
- Foot extensions

Space Requirements

- Allow 6" clearance on all sides of the machine.

Rancilio Classe 5 S 1 Group Tank

Entry to Mid-Level Traditional Espresso Machine



Countertop Requirements

Espresso Machine

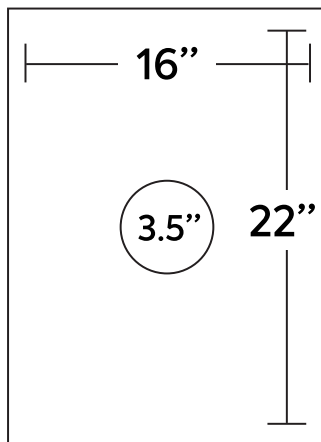
Width	Depth	Height	Weight
16"	22"	21"	73 lbs

Shipping Dimensions and Weight

Espresso Machine

Length	Width	Height	Weight
29"	26"	35"	115 lbs

Countertop Drilling Plan



(front)

Electrical Connections

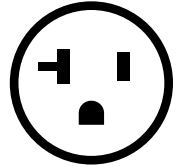
Espresso Machine

Voltage Range: 110-120VAC

Power: 1600W

Circuit Size: 20A

Suggest Receptacle: NEMA 5-20R



Please allow 3"-4" of space for the plug, especially when placing power above the counter and behind the machine.

Water Connections

No water connection is used. Pour-over 2 liter water reservoir, located on top of the machine, supplies water to the boiler.

Water Quality Statement

The fact that water is potable is no guarantee that it is suitable for coffee machines. The water hardness must be within these general guidelines:

HARDNESS: 2-3 GPG (1 grain of hardness = 17.1 ppm)

Pure spring water or water that has been run through an active carbon filter is recommended. If lime scale buildup is an issue in your location, bottled water should be used. Do not use distilled or naked water (see Rancilio Group North America Water Quality Statement for further details).

